



P600^T | 60 HP
P750^T | 75 HP

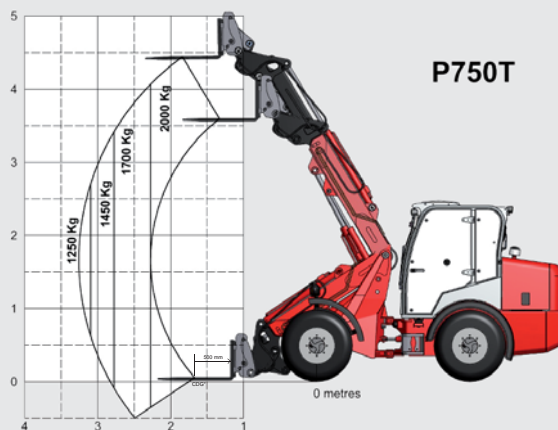
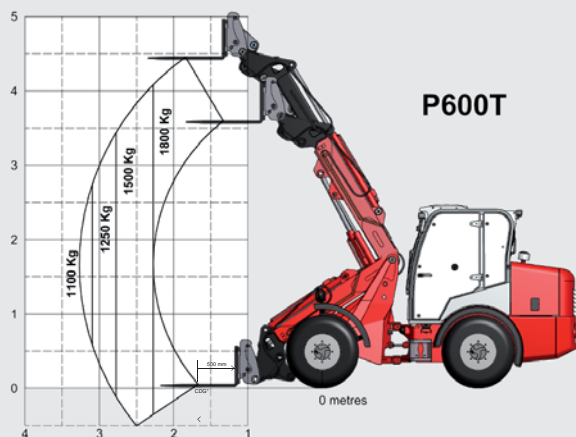


TECHNICAL SPECIFICATIONS

	P600^T	P750^T
Engine type/make:	C2.2T CATERPILLAR®	C3.4T CATERPILLAR®
Power at 3000 rpm:	44,5 kw (60 HP)	55,4 kw (75 HP)
Cylinder capacity:	2,216 L	3,4 L
Certification:	Tier 4 Final, stage III B	Tier 4 Final, stage III B
Voltage - Battery:	12V - 70Ah	12V - 100Ah
Speed:	0/25 km/h	0/25 km/h
Tank capacity:	Oil 60 L - Diesel 65 L	Oil 60 L - Diesel 65 L
Hydrostatic pressure at max. speed:	420 bar	420 bar
Hydraulic Flow/Pressure at max. speed:	89 L/min / 200 bar	89 L/min / 200 bar
Tyres:	500/45 x 20 (N-50)	500/45 x 20 (N-50)
Weight without accessories:	5200 kg	5350 kg
Pulling force:	3200 daN	3400 daN
Tipping load in straight position with pallet forks (COG* 500 mm):	2990 kg	3080 kg
Tipping load in articulated position with pallet forks (COG* 500 mm):	2250 kg	2350 kg

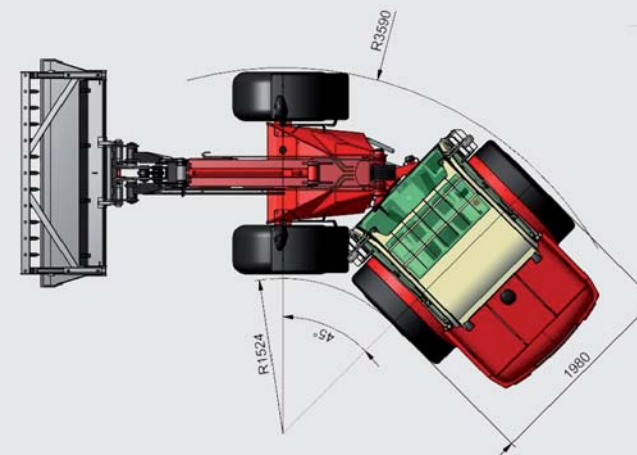
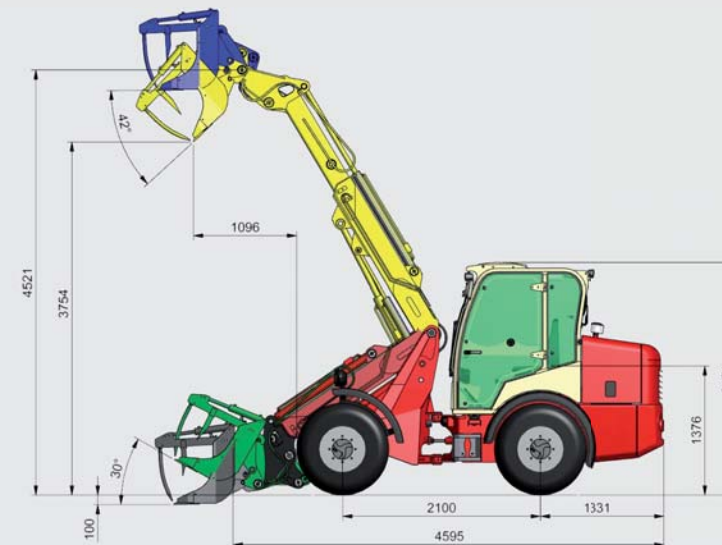
Datas and pictures are not contractuals. Can be modified without prior notice.

* Center of gravity



Load capacity on rough condition (60% of tipping load)

DIMENSIONS



ZI DE LAVALLOT - BP 21 - 29490 GUIPAVAS - FRANCE

TEL: + 33 298 344 100 - FAX: + 33 298 344 120

E-mail: info@pichonindustries.com